

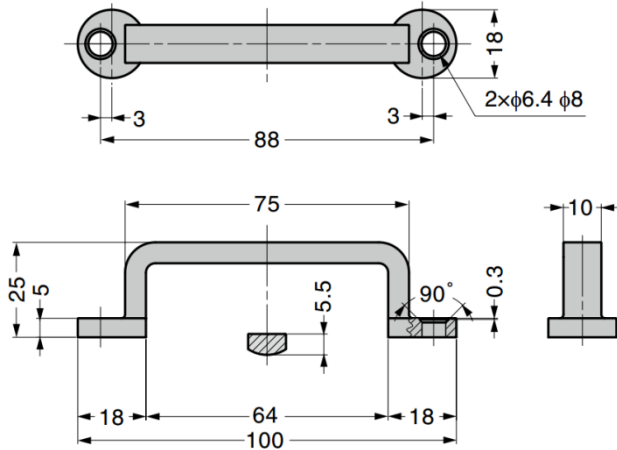
GFT-100 Stainless Steel Handle

Features

- Wider mounting hole relative to other GFT series handles

Material

- Stainless steel 304, polished



Part No.
GFT-100-6.4

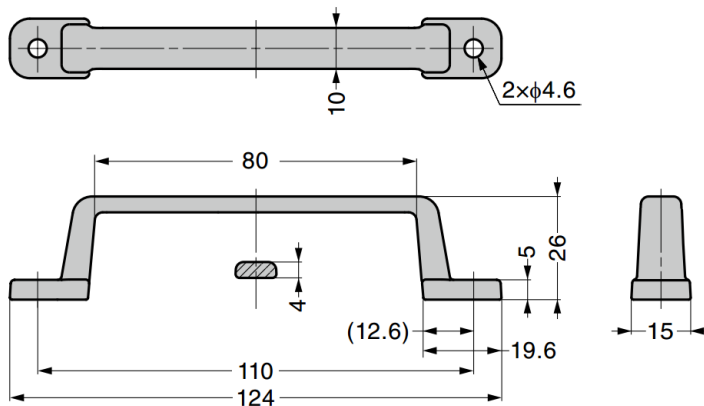
GFT-110S Stainless Steel Handle

Material

- Stainless steel 304, polished

Recommended Screws

- M4 screw



Part No.
GFT-110S